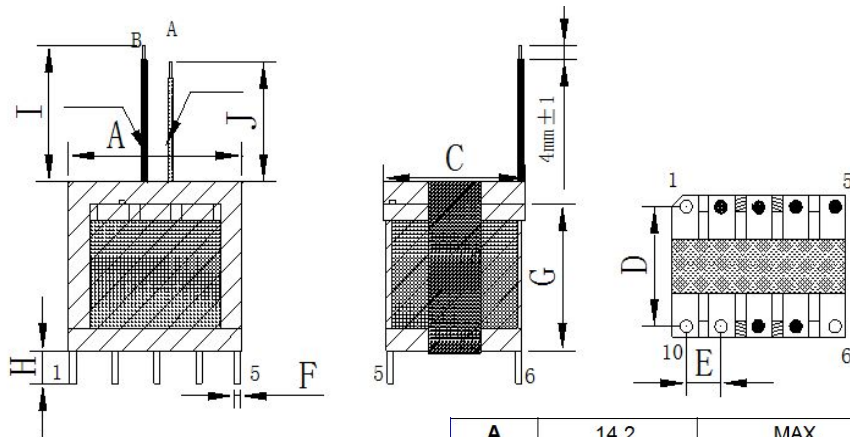


CUSTOMER TERMINAL	ROHS	Lead(Pb)-free
	YES	YES

1. Mechanical Dimensions

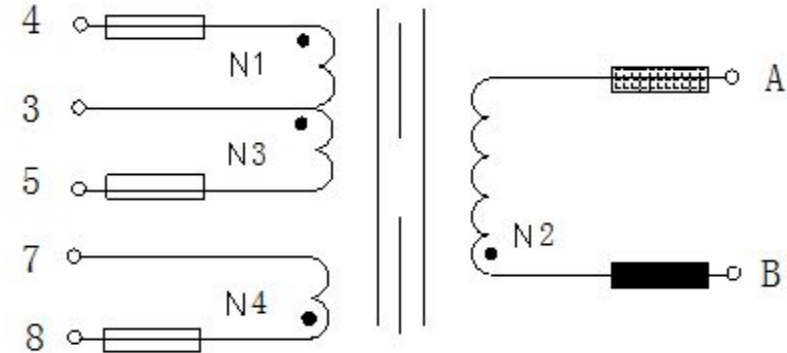


A	14.2	MAX
G	13.0	MAX
C	15.0	MAX
D	8.5	±0.4
E	2.5	±0.3
F	0.6	±0.1
H	3.5	±0.5
I	36.5	±2
J	28.5	±2

3. Material List

Core:FW44 EE13/12/6
 Bobbin:FWB1302(5+5PIN)
 Wire:2UEW TIW
 Operating Temperature: -30 to115 °C

2. Schematic Diagram



4. Electrical Specification

Inductance:L(4-5):1.7mH±5% 100KHZ , 0.8V
 Leakage Inductance : 16uH MAX 100KHZ , 0.8V
 DCR : (4-5)=4.85Ω MAX (7-8)=2.33Ω MAX
 Hi-Pot:P-S: AC 60Hz 4000V 1mA 3S
 S-CORE:AC 60Hz 4000V 1mA 3S

REV.	DATE	 Convention Placement	DRW.		Drawing Title:	Part No:
0	00/00		CHK.			
ROHS			www.ferriwo.com	APP.		Customer P/N